

# SPO 145-2

## Sirio Professional Omni

### 2 dBi VHF Base Station Antenna 145-175 MHz

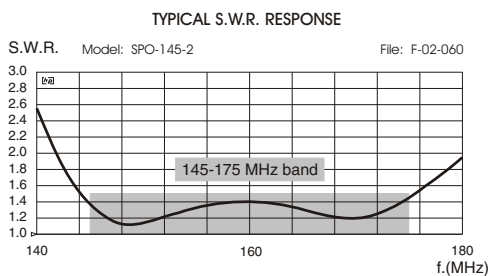
**DESCRIPTION:** New series of **wide band** omnidirectional base station antennas for VHF band suitable for marine service too. The fiberglass protection radome and the anodized aluminium parts guarantee robustness and long life to all the SPO-antennas series. They are supplied with two strong extruded aluminium brackets and stainless steel hardware for a good installation on the mast.

#### Electrical Data

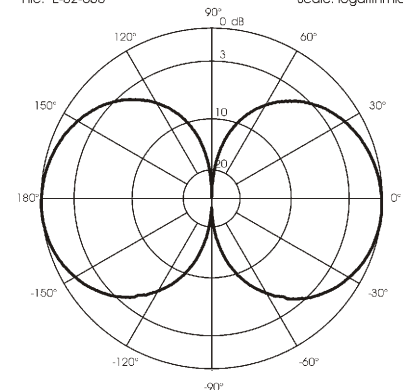
Type	Dipole
Frequency Range	145-175 MHz @ SWR 1.5
Impedance	50
Radiation (H-plane)	360° Omnidirectional
Radiation (E-plane)	Beamwidth @ -3dB = 78°
Radiation angle deg.	0°
Polarization	Linear Vertical
Gain	0 dBd - 2.15 dBi
Max Power	100 Watts (CW) @ 30°C ambient
Grounding Protection	All metal parts are DC-grounded, inner conductor shows a DC short
Connector	N-female, with rubber protection cap

#### Mechanical Data

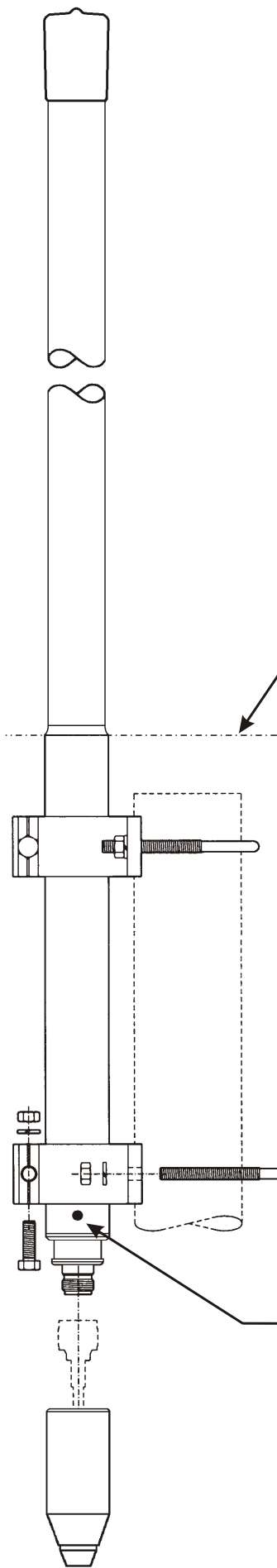
Materials	White fiberglass radome 28.6 mm, anodized 6063-T5 aluminium, brass, stainless steel, copper, EPDM rubber.
Wind Load at 150 km/h	53 N
Wind Resistance	180 Km/h
Wind Surface	0.044 m <sup>2</sup>
Operatin temperature	-40°C to + 80°C
Height (approx.)	1380 mm
Weight (approx.)	1315 gr
Mounting Mast	Side mast with "V" bolt, 35-54 mm



**TYPICAL RADIATION PATTERN in E-plane at mid-band**  
File: E-02-060 Scale: logarithmic



**MOUNTING INSTRUCTIONS**



**ATTENTION!**  
The mounting mast does not have to be higher of the aluminium tube

**ATTENTION!**  
Leave the drainage hole uncovered

**Fixing bracket:**



**Fixing bracket part list**

Q.ty	Description
2	Extruded aluminium bracket
2	M6x188 V-bolt
2	M6x20 Exagonal head screw
6	M6 Spring lock washer
6	M6 Hexagonal nut
Materials:	extruded aluminum
Hardware:	stainless steel
Dimensions :	80 x 76 x 25 mm
Weight:	220 g
<b>Re-order code: SA104</b>	

**Connector protection cap**  
Re-order code: TE06416

