

Our Thanks to You

Thank you for purchasing a TTI CB TRANSCEIVER radio.
Properly used this TTI product will give you many years of reliable service.

All our products are built to offer excellent value by combining advanced features, great design and manufacturing quality.

To ensure you are familiar with the operation and features of your radio, and in order to obtain the best performance, please read this manual carefully before operation.

1. Supplied Accessories

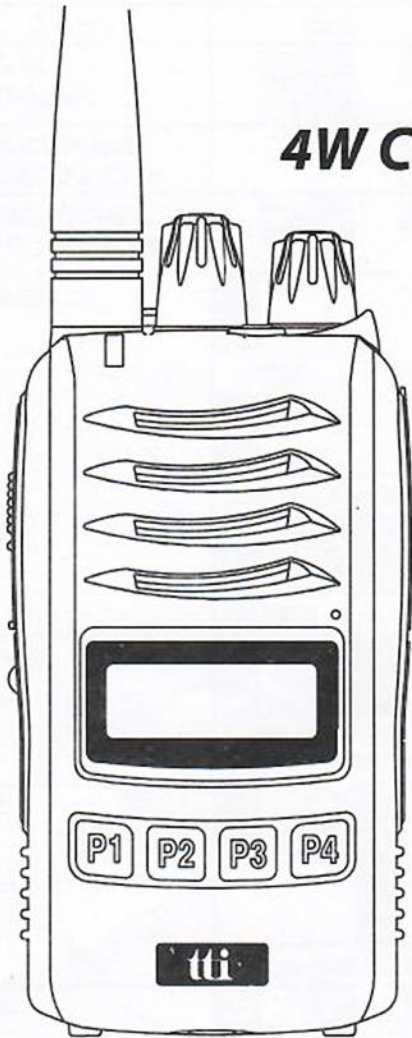
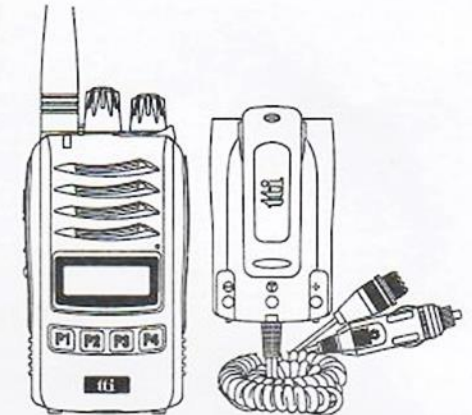
TCB-H100 is supplied with a full range of accessories to help you get started and virtually benefit from all the features straight away.

> Charger Package

TCB-H100 transceiver	1unit
Antenna	1unit
Li-Ion rechargeable battery	1unit
Charging cradle	1unit
Power cable	1unit
Belt clip	1unit

> Battery Eliminator Package

TCB-H100 transceiver	1unit
Battery Eliminator with Antenna connector and Belt clip	1unit



4W COMPACT HANDHELD CB TRANSCEIVER TCB-H100

INSTRUCTION MANUAL



www.ttikorea.co.kr

1) Power On/Off & Volume Control Knob

Turn this knob clockwise to switch on. The more you turn this knob clockwise, the bigger the audio sound grows.

2) Squelch Adjuster and DSS (Dynamic Squelch Tuning System)

DSS : Default. The squelch level of your transceiver is dynamically adjust to get the best receive condition.

Squelch Adjuster : Turn this knob clockwise to the max. Turn counter-clockwise until you hear background noise and then turn the knob to the opposite direction until the noise disappears.

3) Emergency Button

Press this button to go to emergency channel (9 or 19). To return to the previous operation mode, press EMG button again.

4) PTT Button

While pressing this button, you can transmit. The Red LED lights during the PTT press.

5) Backlighting & Scan Button

Short press to change backlighting color (Red / Green / Amber / Off)

Long press to activate/deactivate channel scan. While scanning, press Up/Down button to change scanning direction.

6) Menu / Lock Button

Short press to access menu mode. Use the Up/Down button to change the setting.

Long press to activate/deactivate keypad lock function.

<MENU>

Display	Functions	Settings
bn	Band	See next band chart
Po	Power	FM : High and Low AM : Low only
rb	Roger Beep Tone	On and Off
bP	Key Beep Tone	On and Off
Uo	VOX	Off, Low, Middle, High

<BAND Chart>

Setting	Display	Settings
EC	EC	Europe 40ch. FM 4W
EU	EU	Europe 40ch. AM/FM 4W
D	d	Germany 80ch. FM 4W, 40ch. AM 4W
I2	I2	Italy 34ch. AM/FM 4W
I	I	Italy 40ch. AM/FM 4W
UE(EU/UK)	UE	UK 40ch. FM 4W (British Frequencies) + CEPT 40ch. FM 4W(EC)
UK	UH	UK 40ch. FM 4W (British Frequencies)
PL	PL	Poland 40ch. AM/FM 4W (Polish Frequencies : 5KHz)
F	F	France 40ch. FM 4W, 40ch AM 4W
E	E	Spain 40ch. AM/FM 4W

7) Channel Up/Down Button

Short press to change channel.

Long press to speed up channel change.

8) Echo & AM/FM Button

Short press to activate/deactivate Echo TX sound.

Long press to switch AM/FM mode.

9) Signal Strength Meter (S-RF)

Low transmitting power shows four S-RF meters.

High transmitting power shows full eight S-RF meters.

While receiving signal, actual reception signal strength is on display.

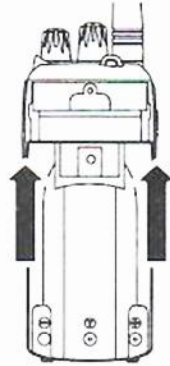
10) Low Batter Alert

In case Low battery, LED and battery indicator are blinking with alert sound for every 15 seconds.

2. Fitting the Battery Pack / Battery Eliminator

> Fitting

Ensure that your radio is switched off.
Align the battery pack with the battery guide and Slide the battery pack up to the top until you hear the snapping sound.



> Removal

Ensure that your radio is switched off.
Press down on the battery release catch and separate the battery pack from the radio.



3. Battery Charging

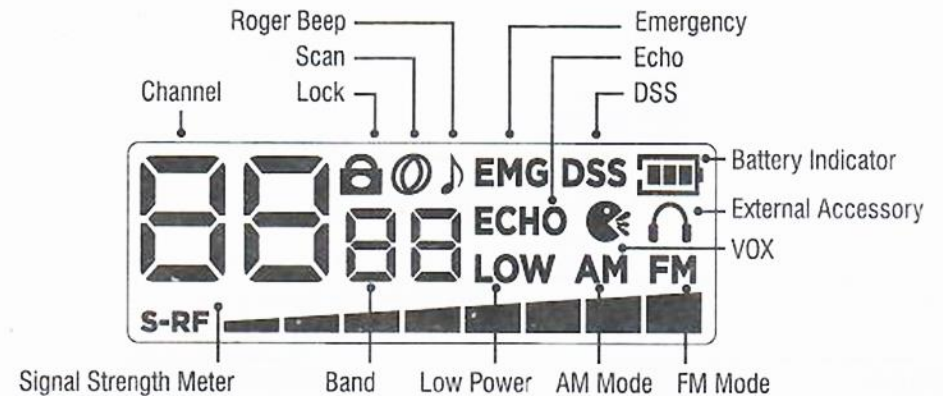
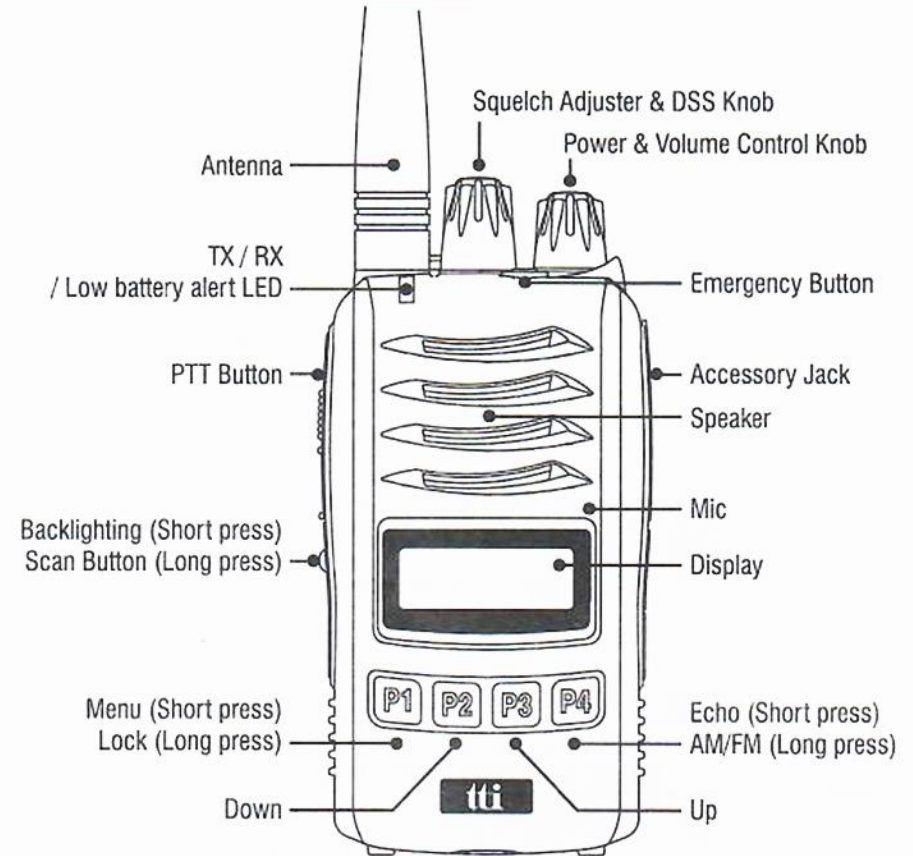
- 1) Connect the power adaptor to the main power supply and connect the adaptor charger jack to the charging cradle.
- 2) Disconnect any radio accessories and ensure the radio is switched off.
- 3) Insert the radio into the charging cradle until it clicks home. The charger LED will glow red and charging will start. If the charger LED blinks red or green or the charger LED does not light, re-insert the radio into the charging cradle.
- 4) The battery charging time is about 4-5 hours. When the battery is fully charged the charger LED will turn green.

Power Adaptor
- Input : 230VAC
- Output : 12VDC 1Ah

Note :

- Upon the red LED blinking, there is a doubt on the battery quality.
- Upon the orange LED blinking, there is a doubt on the high temperature of the battery. In this case, separate the battery from the cradle and try again after cooling.

4. Transceiver Controls, Display and Functions



5. Trouble Shooting

If you experience problems with your TCB-H100, first check the battery power level or connection of battery eliminator as low batteries can cause problems such as poor transmission, weak reception and reduced sound quality. Then check the manual and radio display to ensure that a function (such as VOX or Lock) has not been activated by accident.

- 1) Switch off the transceiver.
- 2) Press and hold PTT button and Backlighting button, switch on the transceiver.
- 3) Wait for a while until reset display appears.

All the memories are erased by this reset and the parameters return to the initial factory setting. In case of further difficulty, please consult your dealer or visit our website at www.ttikorea.co.kr.

6. Safety Requirement

For charging the rechargeable battery, only a CE approved AC adaptor complying with the following specifications must be used.

INPUT : 230VAC 50Hz
OUTPUT : 12VDC 1Ah

For direct operation by battery eliminator, following cigar adaptor must be used.

INPUT : 12/24VDC
OUTPUT : 12VDC 3Ah

7. Specifications

GENERAL	Channel	40 (See the frequency band chart)
	Frequency Range	26.56 MHz ~ 28 MHz
	Operating mode	F3E (FM), A3E (AM)
	Frequency Control	PLL Synthesizer
	Frequency Tolerance	0.002%
	Operating Temperature Range	-10 to +55 °C
	Power Supply	7.4V (Li-Ion Battery) 12/24VDC (Battery Eliminator)
	Size	57 (W) x 116 (H) x 39 (D)
	Weight	224 grams with Battery pack
	Antenna Connector	SMA type
TRANSMITTER	Power Output	Duty cycle 10% 4 Watts @ 13.2V DC
	Modulation	AM: from 85% to 95% FM: 1.8KHz ± 0.2KHz
	Frequency Response	300Hz to 3000Hz
	Output Impedance	50ohms, Unbalanced
	Harmonic Suppression	Less than -54dBm
	Current Drain	AM Full Mod. 1.6A Max.
RECEIVER	Receiving System	Dual conversion superheterodyne
	IF Frequencies	Double conversion 1st 10.695MHz/2nd 455KHz
	Sensitivity	1.4 μ V for 10dB(S+N)/N in AM Mode 0.8 μ V for 20dB SINAD in FM Mode
	Audio Output Power	1W @ 16ohm
	Audio Distortion	Less than 8% @ 1KHz
	Image Rejection	More than 60dB
	Adjacent Channel Rejection	More than 60dB
	Conducted Spurious	Less than -57dBm
	Frequency Response	300Hz to 2500Hz
	Built-in Speaker	16ohms, Round
Squelch	Adjustable; Threshold less than 1 μ V DSS; Less than 2 μ V	

* Specification is subject to change without prior notice.

10. Restrictions on the use

Country	Band	Use restrictions and other comments	
BELGIUM SWITZERLAND	EU F EC	40 Ch - 4W FM - Individual licence is required	
		40 Ch - 4W AM - Individual licence is required	
DENMARK,NORWAY LUXEMBOURG,CZECH	EC	40 Ch - 4W FM - Free use	
FINLAND,PORTUGAL FRANCE,NETHERLANDS	EU F EC	40 Ch - 4W FM - Free use	
		40 Ch - 4W AM - Free use	
GERMANY	D	80 Ch - 4W FM - Individual licence is required	
		40 Ch - 4W AM - Individual licence is required	
	EU	40 Ch - 4W AM - Use ch 4-15 only	
	D2 <small>scan by on-radio-shop</small>	EC	40 Ch - 4W FM - Free use
			12 Ch - 4W AM - Individual licence is required
fx Allowed: from 26.960 to 27.410 MHz "BAPT 222 ZV 104"			
GREECE	EU F I EC	40 Ch - 4W FM - Free use	
		40 Ch - 4W AM - Free use	
T/R 20-02			
IRELAND	EU F I EC	40 Ch - 4W FM - Free use	
		40 Ch - 4W AM - Free use	
S.I. No 436 of 1998. WIRELESS TELEGRAPHY ACT, 1926 (SECTIONS) (EXEMPTION OF CITIZENS' BAND (CB) RADIOS) ORDER, 1998			
ITALY	EU F I EC	40 Ch - 4W FM - General authorization is required	
		40 Ch - 4W AM - General authorization is required	
	I2	34 Ch - 4W FM	
		34 Ch - 4W AM(ERP) *AM mode allowed on ch1-23 only	
PNF issued on DM 08.07.02 NOTES 49 A-B-C-D-E-G			
SPAIN	EU F EC	40 Ch - 4W FM - Individual licence is required	
		40 Ch - 4W AM - Individual licence is required	
Art. 57 - Law 11/1998 dated 24th April			
SWEDEN	EU F EC	40 Ch - 4W FM - Free use	
		40 Ch - 4W AM - Individual licence is required	
UK	EU EC	40 Ch - 4W FM - Free use	
		40 Ch - 4W AM - Free use	
POLAND	EU EC	40 Ch - 4W FM / AM - Free use	

<< Declaration of Conformity >>

We, TTI Tech Co., Ltd. (B-912, Indeokwon IT Valley, 40 Imi-ro, Uiwang-si, Gyeonggi-do, Korea) declare on our sole responsibility that this equipment complies with the essential requirements of the Radio Equipment Directive (RED) 2014/53/EU, and that any applicable Essential Test Suite measurements have been performed.

Kind of equipment : HANDHELD CB TRANSCEIVER

Type-designation : TCB-H100

Version (where applicable) :

This compliance is based on conformity with the following standards, specifications or documents :

EN 62311:2008	
EN 300 433	V2.1.1
EN 301 489-1	V2.2.0
EN 301 489-13	V1.2.1
EN 60950-1:2006+A11:2009	+A1:2010+A12:2011+A2:2013



N. Y. Kim
Director

Korea, Dec. 31, 2019

Signature